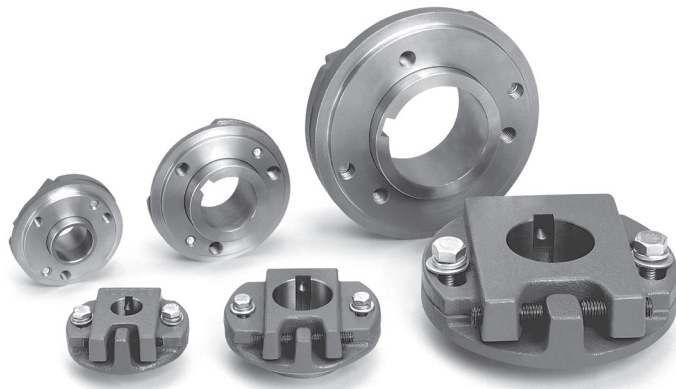


////// ZERO-MAX[®] Phas-Lok Adjusting Hubs





Easy and Accurate Phase Adjustment

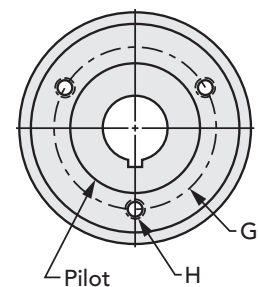
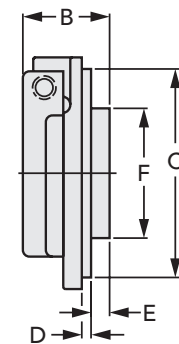
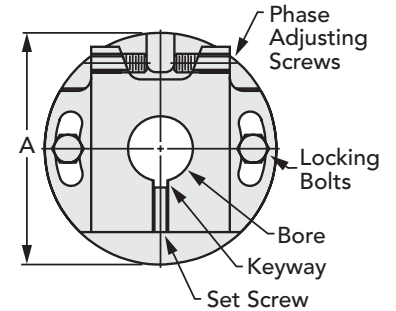
The Phas-Lok Adjusting Hub is an economical, yet precise device. It provides an easy way to change the phase relationship of a drive component and the shaft. It is ideal for fine tuning timing adjustments, adjusting for chain elongation, and sprocket tooth wear. The Zero-Max Phas-Lok provides an accurate, mechanical adjustment within a 24 degree range ($\pm 12^\circ$).

Standard Series - Bored to Shaft Size		
Size A Max Bore 7/8" or 22mm	Size B Max Bore 1-1/2" or 38mm	Size C Max Bore 2-1/2" or 65mm
Blank bore models available.		
Phas-Lok for the Browning Bushing		
AX Use with Browning "G" Bushing	BX Use with Browning "H" Bushing	CX Use with Browning "Q1" Bushing
Phas-Lok for the Standard QD Bushing		
N/A	B-QD Use with QD Series "JA" Bushing	C-QD Use with QD Series "SD" Bushing

Physical Dimensions (in inches)											
	A	B		C	D	E	F	G	H	Weight	
		Std.	"X"	"QD"				(Bolt Circle)			
Series A	2.875	1.53	1.53	N/A	2.45	0.19	0.31	1.25	2.125 Dia.	(3) 1/4-20 x 1/2	1.4 lbs
Seres B	3.750	1.72	1.72	1.72	3.33	0.19	0.52	2.13	2.875 Dia.	(3) 3/8-16 x 1/2	2.3 lbs
Series C	6.250	2.34	2.25	2.25	5.63	0.31	0.50	3.50	4.375 Dia.	(3) 1/2-13 x 3/4	11.2 lbs

Minimum Sprocket Size (# Teeth)									
Chain	25	35	41	40	50	60	80	100	120
Series A	35	25	19	20	16	15	*	*	*
Series B	52	32	24	24	21	19	15	13	*
Series C	84	54	39	40	32	27	23	20	18

*Not Recommended



Warranty. Zero-Max, Inc. the manufacturer, warrants that for a period of 12 months from date of shipment it will repair, or at its option, replace any new apparatus which proves defective in material or workmanship, or which does not conform to applicable drawings and specifications approved by the manufacturer. All repairs and replacements shall be F.O.B. factory. All claims must be made in writing to the manufacturer. • In no event and under no circumstances shall manufacturer be liable for (a) damages in shipment; (b) failures or damages due to misuse, abuse, improper installation or abnormal conditions of temperature, dirt, water or corrosives; (c) failures due to operation, intentional or otherwise, above rated capacities, and (d) non-authorized expenses for removal, inspection, transportation, repair or rework. Nor shall manufacturer ever be liable for consequential and incidental damages, or in any amount greater than the purchase price of the apparatus. • Zero Max, Inc. reserves the right to discontinue models or to change specifications at any time without notice. No discontinuance or change shall create any liability on the part of Zero-Max, Inc. in respect to its products in the hands of customers or products on order not incorporating such changes even though delivered after any such change. • This warranty is in LIEU OF ALL OTHER WARRANTIES, EXPRESS OR IMPLIED, INCLUDING (BUT NOT LIMITED TO) ANY IMPLIED WARRANTIES OF MERCHANTABILITY OR FITNESS FOR A PARTICULAR PURPOSE. THE TERMS OF THIS WARRANTY CONSTITUTE ALL BUYER'S OR USER'S SOLE AND EXCLUSIVE REMEDY, AND ARE IN LIEU OF ANY RIGHT TO RECOVER FOR NEGLIGENCE, BREACH OF WARRANTY, STRICT TORT LIABILITY OR UPON ANY OTHER THEORY. Any legal proceedings arising out of the sale or use of this apparatus must be commenced within 18 months of the date of purchase. • CAUTION: Rotating equipment must be guarded. Also refer to OSHA specifications and recommendations. • Zero-Max®, CD®, ETP®, ServoClass®, Torq-Tender®, Control-Flex®, Posi-Lok®, Roh'LiX®, Crown®, Schmidt® and OHLA® are registered trademarks of Zero-Max, Inc. In U.S.A.

©Zero-Max, Inc. All Rights Reserved
Printed in U.S.A., Rev1.04S



13200 Sixth Avenue North, Plymouth, Minnesota 55441-5509
Phone 800.533.1731 763.546.4300 FAX 763.546.8260

zero-max.com